

Cable Routing Bracket

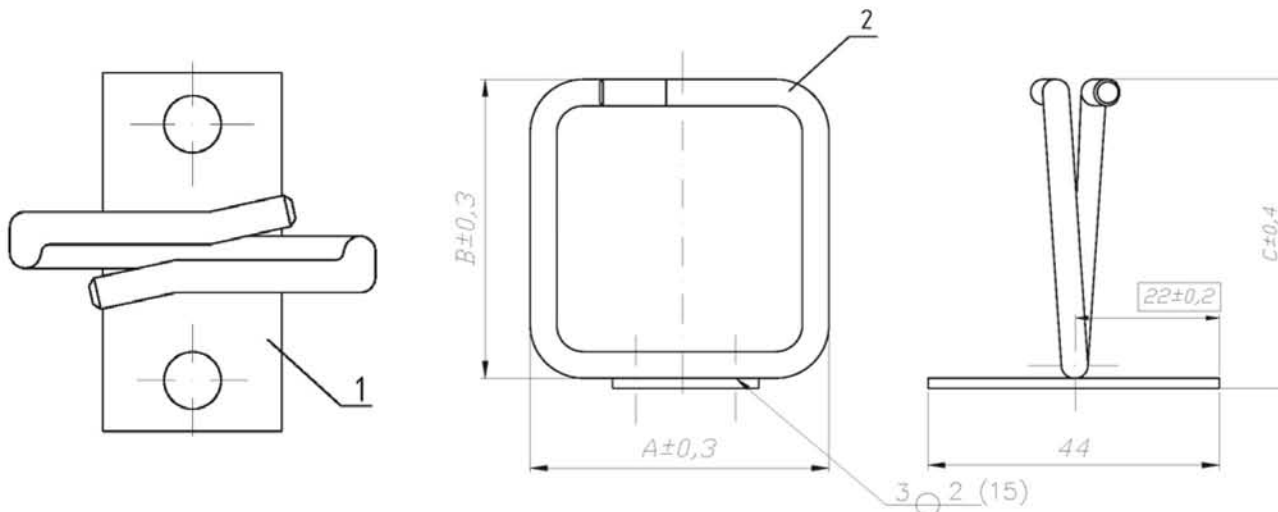
Art.-No. 699991.x



Specifications:

- For orderly and clearly cable routing
- Mounting on the 19" profile rails
- Material: galvanised steel
- Width of ground plate: 20 mm
- Spacing between the holes: 30 mm

Art.-No.	Dimensions	A	B	C	PU
699991.1	40 x 40 mm	40 mm	40 mm	41.5 mm	10
699991.2	40 x 80 mm	40 mm	80 mm	81.5 mm	10
699991.3	80 x 80 mm	80 mm	80 mm	81.5 mm	10
699991.4	80 x 120 mm	80 mm	120 mm	121.5 mm	10



RoHS
compliant

Created MN	Date 27.10.09
Last rev. MN	Date 27.10.09

Cable routing bracket

699991.x

File: 699991.x_ENG

