

## 19" Splicebox w. loose front panel

19TUB

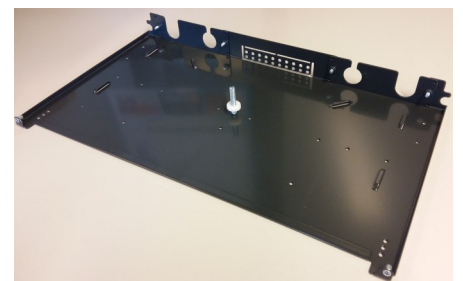


### Technical specification

- 19" Chassis (Box) Unassembled, without front panel
- Frontplate's in variable designs for LC, SC, ST, FC, E2000
- Dim: WxBxD, 483x44,5x244mm 1U
- Matr.: Steel sheet, painted
- Color: Light Grey RAL7035 or Black RAL 7021

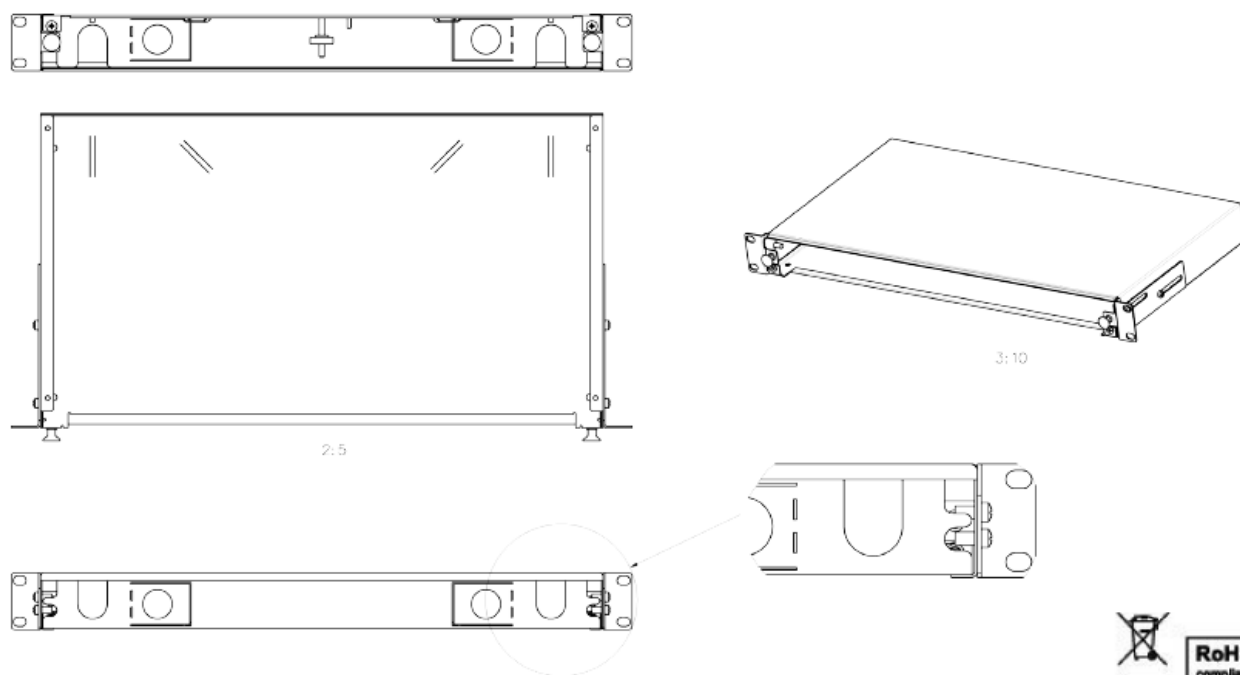
### Additional information

- 4 x Cable entry rear-sided, prepared for PG16/M20 gland
- Cable entrance in middle of the box with strain relieff
- Max 4 splice cassettes mountable
- Frontplate in metal steel in variable designs for LC, SC, ST, E2000
- Frontplate in steel, powder painted light grey or black
- Each port numbered whit white/black number.



## 19" Splicebox wo front panel

19TUB



### Ordering number

order No.	Description	Color
19" box:		
19TUB G	19" Fiber box 1U W.O. frontplate, Grey	Grey
19TUB S	19" Fiber box 1U W.O. frontplate, Black	Black
Frontplate's:		
FP1N SC-D/12	Frontplate for 12 x SC-Duplex 1U	Grey
FP1N SC-D/12-S	Frontplate for 12 x SC-Duplex 1U	Black
FP1N SC-D/24	Frontplate for 24 x SC-Duplex 1U	Grey
FP1N SC-D/24-S	Frontplate for 24 x SC-Duplex 1U	Black
FP1N SC-S/LC-D/12	Frontplate for 12 x SC-S/LC-D 1U	Grey
FP1N SC-S/LC-D/12-S	Frontplate for 12 x SC-S/LC-D 1U	Black
FP1N SC-S/LC-D/24	Frontplate for 24 x SC-S/LC-D 1U	Grey
FP1N SC-S/LC-D/24-S	Frontplate for 24 x SC-S/LC-D 1U	Black
FP1N ST-S/FC-S/12	Frontplate for 12 x SC-S/FC-S 1U	Grey
FP1N ST-S/FC-S/12-S	Frontplate for 12 x SC-S/FC-S 1U	Black
FP1N ST-S/FC-S/24	Frontplate for 24 x SC-S/FC-S 1U	Grey
FP1N ST-S/FC-S/24-S	Frontplate for 24 x SC-S/FC-S 1U	Black